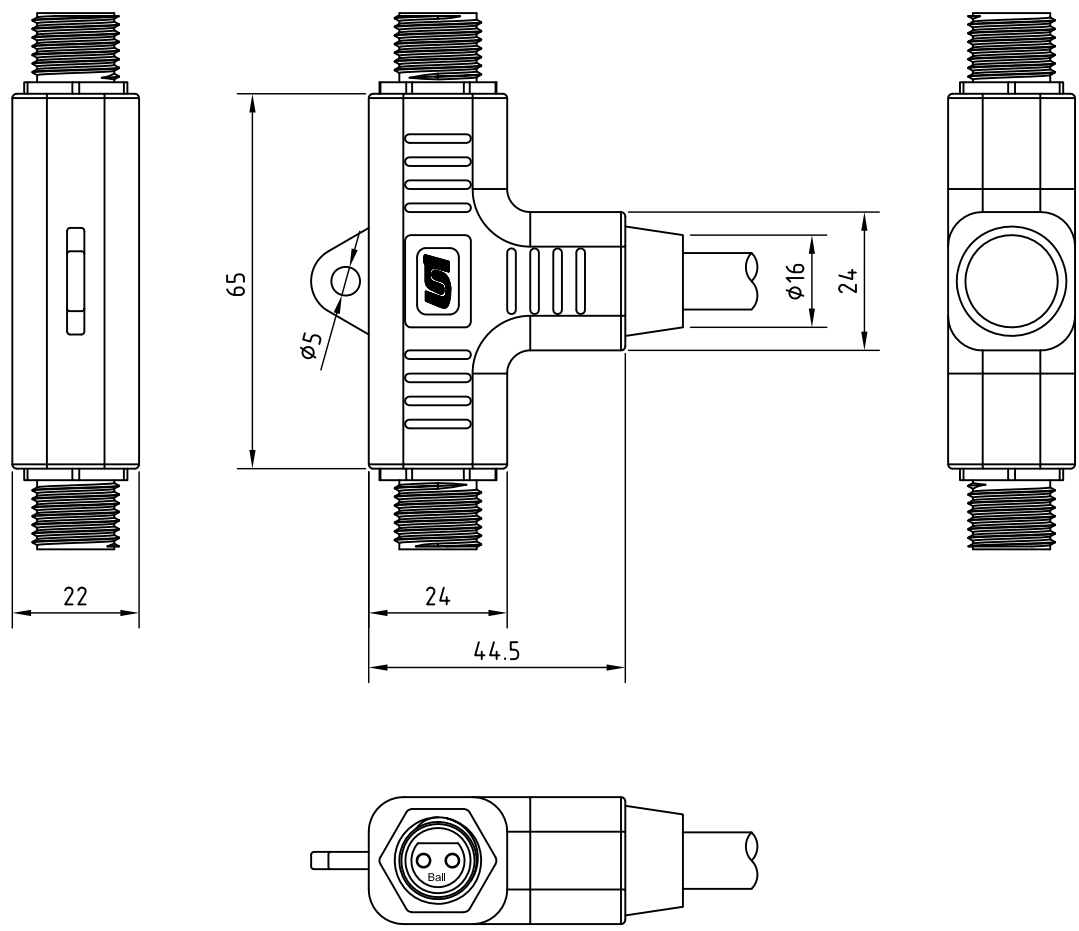


REV.	Description	Date
1	upgrade drawing	2016/10/7



Specification of connector

General Characteristics
 Locking system : screw M15
 Termination : lathe/crimp, moulded
 Shell protection : IP68

Electronical Characteristics
 Rate voltage : 250V
 Rate current : 12A
 Contact resistance : $\leq 10\text{m}\Omega$
 Insulation resistance : $\geq 10\text{M}\Omega$

Materials
 Pin contact : brass
 Contact plating : nickel
 Female insert : PA

Specification of cable

Material Jacket	PVC	PUR
-----------------	-----	-----

RoHS



Unicable Co., Ltd. 國陽電業有限公司
 5F., No. 111-33, Sec. 4, San Ho Road, San Chung City, Taiwan, R.O.C.
<http://www.unicable.com.tw> TEL:+886-2-2286-2122 FAX:+886-2-2286-1010

DATE	2016/10/7	PART NO.	UT-D248-3
DWN	GINA	REV.	1
CHK			
UNIT	MM		

ITEM	In-Line Molded Cable M15
------	--------------------------